



Barwon Valley Woodwrights

P.O. BOX 167, GEELONG BUSINESS MAIL CENTRE, VICTORIA 3220

Email: bvw@hotmail.com.au

Editor: Matt Hull

Quarterly Newsletter June 2018 Edition

PRESIDENT'S REPORT

Congratulations to Matt Hull for volunteering to start up our newsletter again after a long period without one. Currently we plan to publish the newsletter quarterly. I hope you all enjoy reading this edition.

As we don't have our own club premises and our meetings are held at the Geelong Gordon TAFE Eastern Campus we always face challenges in provision of meaningful activities but we find ways to manage this.

One of the strengths of our club is the willingness of members to demonstrate techniques to help others improve their woodworking skills. Thank you to everyone who has helped others in this way, both on our work nights at the TAFE and in home workshops.

Show and tell sessions at our monthly business meeting have allowed members to "strut their stuff" and we have seen some fantastic productions, some of which are featured in this newsletter.

Our recent effort to assist with the community drive to reduce land fill has resulted in many members bringing their own coffee cups to meetings, rather than use polystyrene throwaway cups and we are hoping that will soon be 100%.

Our ongoing interaction with local Bunnings Stores , making articles with children on key occasions, the latest being Mother's Day, has proved to be a great source of pleasure for the lucky children involved and has been very enjoyable for members.

O H & S is always on the agenda and the current review of our policy is serving to remind us all and of our responsibilities to maintain safe practices and to comply with relevant legislation.

Our Annual General Meeting will be held in early July and I encourage members to consider nominating for committee. Membership is rewarding and a strong committee is essential for the continued success of the club.

Neil Galloway
President

*If any member has club or woodwork related photos or articles can you please email them to matty_hull@hotmail.com for use in future editions of the newsletter.

GALLERY

Workshop Night in May

*Using the Gifkin Dovetail Jig
Ian Francis showed us how*



Safety

For those who use a tablesaw, the following videos will be quite informative. There is no blood & gore, but the first one will ensure you treat the machine with utmost respect, as you should. The second one will give ideas on how to prevent accidents. Click the links below to view.

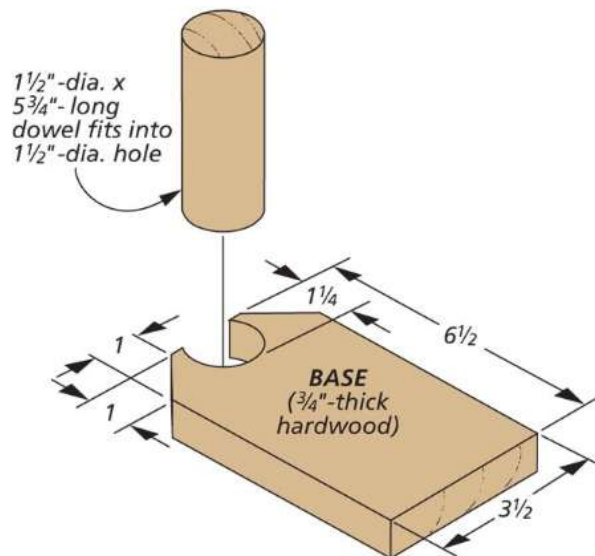
[Kickback 1](#)

[Kickback 2](#)

Ideas



It's better to steer the board with a resaw guide that makes contact with the wood at a single point. This way, you can pivot the board as you are cutting to account for any drift. Luckily, building this type of guide for resawing doesn't have to be a complicated process. As you can see here, this one was made one out of a single board and a large dowel. To use the resaw guide, first lay out the cut on the workpiece. Then set the guide in place to match the desired thickness, aligned with the cutting edge of the band saw blade. Clamp it down, and you're ready to resaw.



To make it, just drill a hole to fit the dowel on the centerline of a board. Then trim the end of the board, cutting through the hole. That way, the dowel extends slightly beyond the beveled end of the board. Finally, glue the board and dowel together.

Courtesy of <http://www.woodsmithtips.com/>

Club Calendar

June 4 th	General meeting night
June 12 th	Committee meeting
June 18 th	Exhibition subcommittee meeting & Workshop night
June 28 th	Special interest group
July 2 nd	AGM & General meeting night
July 10 th	Committee meeting
July 16 th	Exhibition subcommittee meeting & Workshop night
July 26 th	Special interest group
August 6 th	General meeting night
August 14 th	Committee meeting
August 20 th	Exhibition subcommittee meeting & Workshop night
August 23 rd	Special interest group
September 3 rd	General meeting night
September 11 th	Committee meeting
September 17 th	Exhibition subcommittee meeting & Workshop night
September 27 th	Special interest group

Remember

If you can't find the time to do it properly, how will you find the time to fix it?